



PARIOTT WOOD CABINET LIST



PARIOTT WOOD IS A REGISTERED TRADE MARK FOR PREMIUM QUALITY CABINETRY DISTRIBUTED BY NGY GROUP INC, A PROUD MEMBER OF NKBA.

CONTENTS

FRAMED CABINETS

COLLECTIONS & SPECIFICATIONS	01
BASE CABINETS, DRAWERS, & SHELF	05
WALL CABINETS, PANTRY, & SHELF	09
VANITY CABINETS	16
CORNER CABINETS	19
ACCESSORY CABINETS & PULL OUTS	22
DECOR DOORS & MIRRORS	25
PANELS & BOARDS	29
FILLERS & MOLDINGS	31

FRAMELESS CABINETS

COLLECTIONS & SPECIFICATIONS	39
BASE CABINETS, DRAWERS, & SHELF	41
WALL CABINETS, PANTRY, & SHELF	44
VANITY CABINETS	48
CORNER CABINETS	50
ACCESSORY CABINETS & PULL OUTS	52
FILLERS & MOLDINGS	54
WARRANTY & POLICIES	56
ACCOUNT REGISTRATION FORM	59

FRAMED CABINETS

PARRIOTT WOOD CABINETS

ELEGANT SHAKER COLLECTION

SHAKER COLLECTION

HAVANA COLLECTION

RAISED PANELS

ELEGANT SHAKER COLLECTION



Elegant Shaker White



Elegant Shaker Gray



Elegant Shaker Navy

SHAKER COLLECTION



White Shaker



Gray Shaker

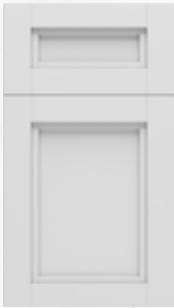


Navy Shaker



Beech Espresso

HAVANA COLLECTION



Blanco



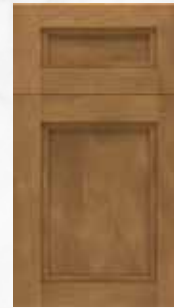
Plata



Ash



Walnut



Café

RAISED PANELS

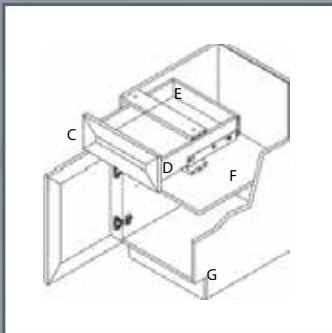
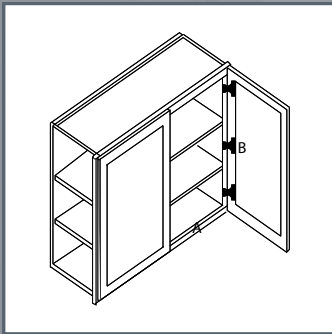


Antique White



Maple Cherry

CABINET SPECIFICATIONS

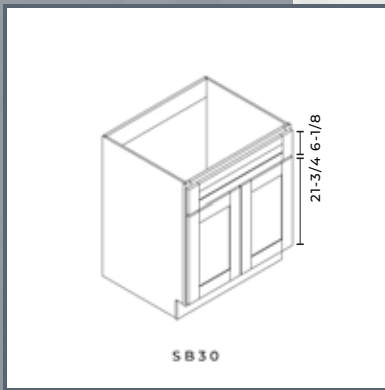


A	FRAME	SOLID WOOD
B	HINGE	SOFT CLOSING ADJUSTABLE CONCEALED HINGES
C	DRAWER	3/4" PLYWOOD
D	GLIDES	FULL EXTENSION UNDERMOUNT SOFT CLOSE
E	BOX MATERIAL	1/2" PLYWOOD
F	SHELVES	3/4" PLYWOOD
G	TOE KICK	1/2" PLYWOOD

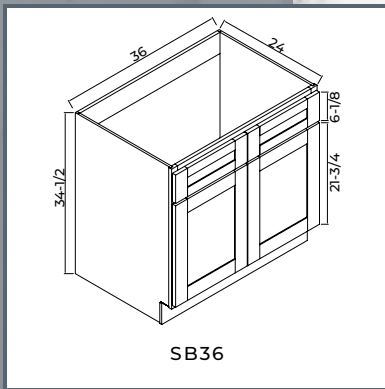
BASE CABINETS,
DRAWERS, &
SHELF

FRAMED CABINETS

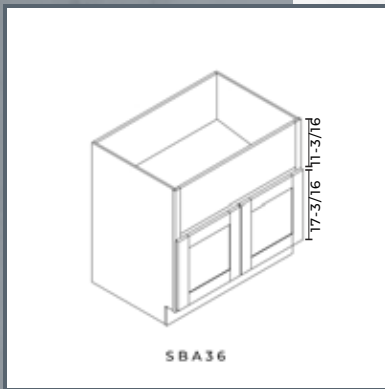
 PARRIOTT WOOD



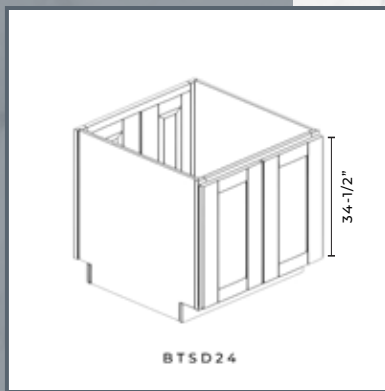
ID	PRODUCT
SB30	30"W SINK BASE 2DOOR 1DRAWER FACE



ID	PRODUCT
SB33	33"W SINK BASE 2DOOR 2DRAWER FACE
SB36	36"W SINK BASE 2DOOR 2DRAWER FACE
SB42	42"W SINK BASE 2DOOR 2DRAWER FACE

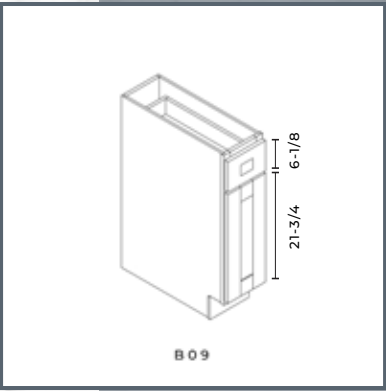


ID	PRODUCT
SBA36	36"Wx34.5"Hx24"D SINK BASE FOR APRON

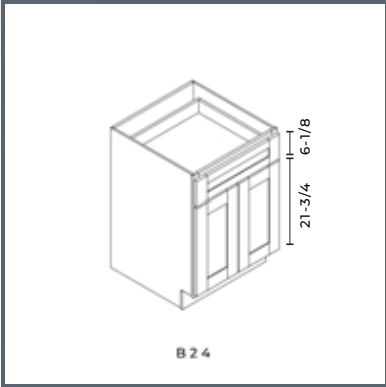


ID	PRODUCT
BTSD24	24"Wx34.5"Hx24"D BASE 2DOOR

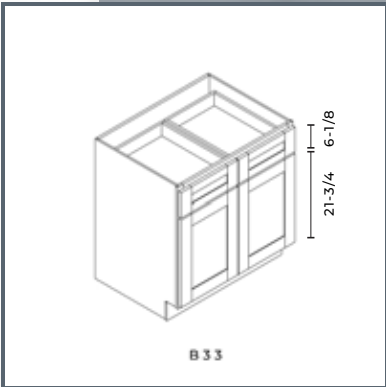
ID	PRODUCT
B09	09"Wx34.5"Hx24"D BASE-1D-1DRAWER-1SHELF
B12	12"Wx34.5"Hx24"D BASE-1D-1DRAWER-1SHELF
B15	15"Wx34.5"Hx24"D BASE-1D-1DRAWER-1SHELF
B18	18"Wx34.5"Hx24"D BASE-1D-1DRAWER-1SHELF
B21	21"Wx34.5"Hx24"D BASE-1D-1DRAWER-1SHELF



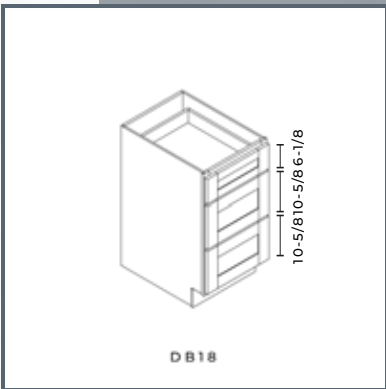
ID	PRODUCT
B24	24"Wx34.5"Hx24"D BASE-2D-1DRA-1S
B27	7"Wx34.5"Hx24"D BASE-2D-1DRA-1S
B30	30"Wx34.5"Hx24"D BASE-2D-1DRA-1S

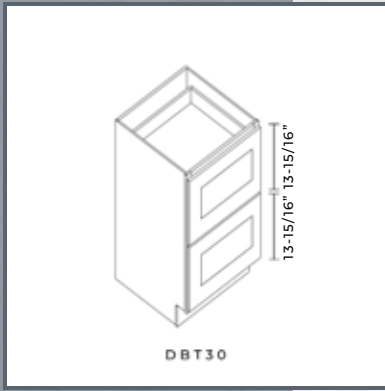


ID	PRODUCT
B33	33"Wx34.5"Hx24"D BASE-2D-2DRA-1S
B36	36"Wx34.5"Hx24"D BASE-2D-2DRA-1S
B39	39"Wx34.5"Hx24"D BASE-2D-2DRA-1S
B42	42"Wx34.5"Hx24"D BASE-2D-2DRA-1S

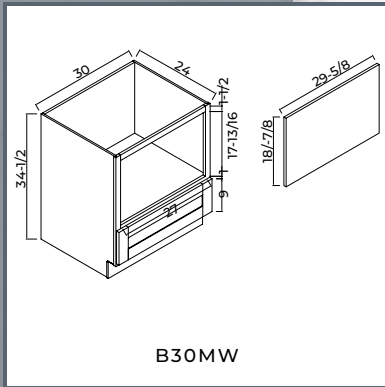


ID	PRODUCT
DB15	15"Wx34.5"Hx24"D DRAWER PACK-3DRA
DB18	18"Wx34.5"Hx24"D DRAWER PACK-3DRA
DB21	21"Wx34.5"Hx24"D DRAWER PACK-3DRA
DB24	4"Wx34.5"Hx24"D DRAWER PACK-3DRA
DB30	30"Wx34.5"Hx24"D DRAWER PACK-3DRA





ID	PRODUCT
DBT24	DRAWER BASE CABINET WITH 2 DRAWERS
DBT30	30"Wx34.5"Hx24"D DRAWER PACK-2DRA



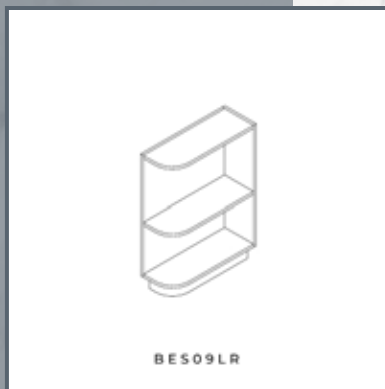
Available Collection: ES, ESG, ESN, AC, AW

ID	PRODUCT
B30MW	30"Wx34.5"Hx24"D BASE MICROWAVE CABINET *Panels require adjustment to fit microwave size



Available Collection: AW, BE, MC, COG, HS (BES09) COG, HS (BES12)

ID	PRODUCT
BES09	09"Wx34.5"Hx24"D BASE END SHELF-LEFT/RIGHT



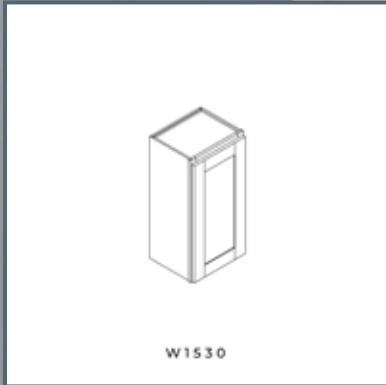
Available Collection: AW, BE, MC, COG, HS (BES09) COG, HS (BES12)

ID	PRODUCT
BES12	12"Wx34.5"Hx24"D BASE END SHELF-LEFT/RIGHT

WALL CABINETS, PANTRY, & SHELF

FRAMED CABINETS

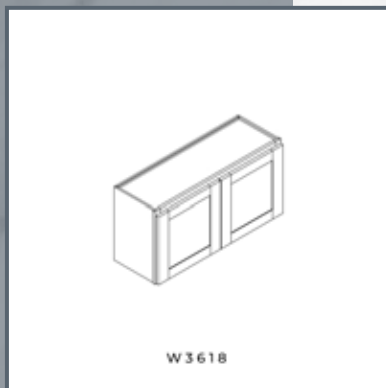
 PARRIOTT WOOD



ID	PRODUCT
W0930	09"Wx30"Hx12"D WALL-1D-2S
W0936	09"Wx36"Hx12"D WALL-1D-2S
W0942	09"Wx42"Hx12"D WALL-1D-2S
W1230	12"Wx30"Hx12"D WALL-1D-2S
W1236	12"Wx36"Hx12"D WALL-1D-2S
W1242	12"Wx42"Hx12"D WALL-1D-2S
W1530	15"Wx30"Hx12"D WALL-1D-2S
W1536	15"Wx36"Hx12"D WALL-1D-2S
W1542	15"Wx42"Hx12"D WALL-1D-2S
W1830	18"Wx30"Hx12"D WALL-1D-2S
W1836	18"Wx36"Hx12"D WALL-1D-2S
W1842	18"Wx42"Hx12"D WALL-1D-2S
W2130	21"Wx30"Hx12"D WALL-1D-2S
W2136	21"Wx36"Hx12"D WALL-1D-2S
W2142	21"Wx42"Hx12"D WALL-1D-2S



ID	PRODUCT
W361224	36"Wx12"Hx24"D WALL-2D
W361524	36"Wx15"Hx24"D WALL-2D
W361824	36"Wx18"Hx24"D WALL-2D
W362124	36"Wx21"Hx24"D WALL-2D
W362424	36"Wx24"Hx24"D WALL-2D



ID	PRODUCT
W3012	WALL 30"Wx12"Hx12"D-2D
W3015	WALL 30"Wx15"Hx12"D-2D
W3018	WALL 30"Wx18"Hx12"D-2D
W3021	WALL 30"Wx21"Hx12"D-2D
W3024	WALL 30"Wx24"Hx12"D-2D
W3612	WALL 36"Wx12"Hx12"D-2D
W3615	WALL 36"Wx15"Hx12"D-2D
W3618	WALL 36"Wx18"Hx12"D-2D
W3621	WALL 36"Wx21"Hx12"D-2D
W3624	WALL 36"Wx24"Hx12"D-2D

ID	PRODUCT
W2430	WALL 24"Wx30"Hx12"D-2D-2S

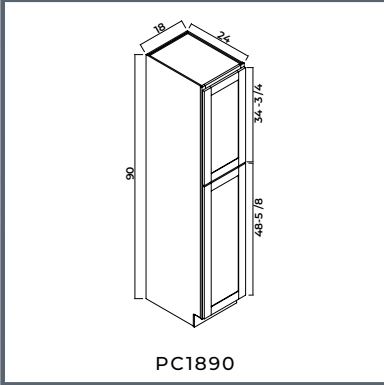


ID	PRODUCT
W2436	WALL 24"Wx36"Hx12"D-2D-2S

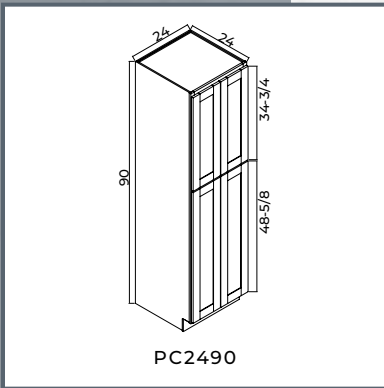


ID	PRODUCT
W2442	WALL 24"Wx42"Hx12"D-2D-3S
W2730	WALL 27"Wx30"Hx12"D-2D-2S
W2736	WALL 27"Wx36"Hx12"D-2D-2S
W2742	WALL 27"Wx42"Hx12"D-2D-3S
W3030	WALL 30"Wx30"Hx12"D-2D-2S
W3036	WALL 30"Wx36"Hx12"D-2D-2S
W3042	WALL 30"Wx42"Hx12"D-2D-3S
W3330	WALL 33"Wx30"Hx12"D-2D-2S
W3336	WALL 33"Wx36"Hx12"D-2D-2S
W3342	WALL 33"Wx42"Hx12"D-2D-3S
W3630	WALL 36"Wx30"Hx12"D-2D-2S
W3636	WALL 36"Wx36"Hx12"D-2D-2S
W3642	WALL 36"Wx42"Hx12"D-2D-3S
W3930	WALL 39"Wx30"Hx12"D-2D-2S
W3936	WALL 39"Wx36"Hx12"D-2D-2S
W4230	WALL 42"Wx30"Hx12"D-2D-2S
W4236	WALL 42"Wx36"Hx12"D-2D-2S

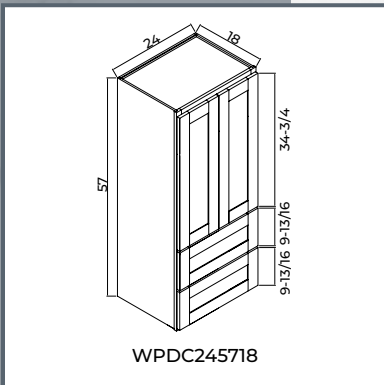




ID	PRODUCT
PC1884	18"Wx84"Hx24"D Pantry-2D-5SHELF SPACE
PC1890	18"Wx90"Hx24"D Pantry-2D-5SHELF SPACE
PC1896	18"Wx96"Hx24"D Pantry-2D-5SHELF SPACE



ID	PRODUCT
PC2484	24"Wx84"Hx24"D Pantry-4D-5SHELF SPACE
PC2490	24"Wx90"Hx24"D Pantry-4D-5SHELF SPACE
PC2496	24"Wx96"Hx24"D Pantry-4D-5SHELF SPACE
PC3084	30"Wx84"Hx24"D Pantry-4D-5SHELF SPACE
PC3090	30"Wx90"Hx24"D Pantry-4D-5SHELF SPACE
PC3096	30"Wx96"Hx24"D Pantry-4D-5SHELF SPACE
PC3684	36"Wx84"Hx24"D Pantry-4D-5SHELF SPACE
PC3690	36"Wx90"Hx24"D Pantry-4D-5SHELF SPACE
PC3696	36"Wx96"Hx24"D Pantry-4D-5SHELF SPACE



Available Collection: ES, ESG, ESN, AC, AW

ID	PRODUCT
WPDC245718	24"Wx54"Hx18"D WALL PANTRY DRAWER CABINET
WPDC246018	24"Wx60"Hx18"D WALL PANTRY DRAWER CABINET

ID	PRODUCT
OC3084U	30"Wx84"Hx24"D OVEN CAB-2D-1DRA
OC3090U	30"Wx90"Hx24"D OVEN CAB-2D-1DRA
OC3096U	30"Wx96"Hx24"D OVEN CAB-2D-1DRA
OC3384U	33"Wx84"Hx24"D OVEN CAB-2D-1DRA
OC3390U	33"Wx90"Hx24"D OVEN CAB-2D-1DRA
OC3396U	33"Wx96"Hx24"D OVEN CAB-2D-1DRA

*Opening:
 OC 3084U/3090U/3096U OC 3384U/3390U/3396U
 44-13/16"H x 27"W 44-13/16"H x 28-1/2"W



Available Collection: ES, ESC, ESN, AC, AW, WS, GS, E, MC, CC, COG, HS, BM, BW, BH

ID	PRODUCT
WM273012	27"Wx30"Hx12"D MICROWAVE-2D-1S
WM273612	27"Wx36"Hx12"D MICROWAVE-2D-1S
WM274212	27"Wx42"Hx12"D MICROWAVE-2D-1S

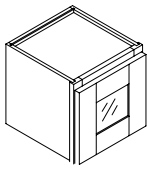
*Lower Opening: 15-3/8"H x 24"W or 16-1/2"H x 25-1/2"W (varies depending on cabinets type)



Available Collection: AW, WS, BE, MC, COG, HS (WES0930-1242)

ID	PRODUCT
WES0630	06"Wx30"Hx12"D-2S WOOD 1/2" END SHELF -LEFT/RIGHT
WES0636	06"Wx36"Hx12"D-3S WOOD 1/2" END SHELF -LEFT/RIGHT
WES0642	06"Wx42"Hx12"D-3S WOOD 1/2" END SHELF -LEFT/RIGHT
WES0930	09"Wx30"Hx12"D-2S WOOD 1/2" END SHELF -LEFT/RIGHT
WES0936	09"Wx36"Hx12"D-3S WOOD 1/2" END SHELF -LEFT/RIGHT
WES0942	09"Wx42"Hx12"D-3S WOOD 1/2" END SHELF -LEFT/RIGHT
WES1230	12"Wx30"Hx12"D-2S WOOD 1/2" END SHELF -LEFT/RIGHT
WES1236	12"Wx36"Hx12"D-2S WOOD 1/2" END SHELF -LEFT/RIGHT
WES1242	12"Wx42"Hx12"D-3S WOOD 1/2" END SHELF -LEFT/RIGHT

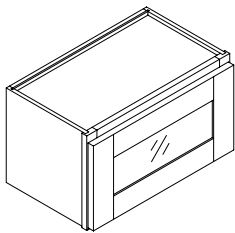




W1212GD

Available Collection: GS, VWS

ID	PRODUCT
W1212GD	STACK-UP WALL CABINET W/ GLASS DOOR 12"W
W1512GD	STACK-UP WALL CABINET W/ GLASS DOOR 15"W



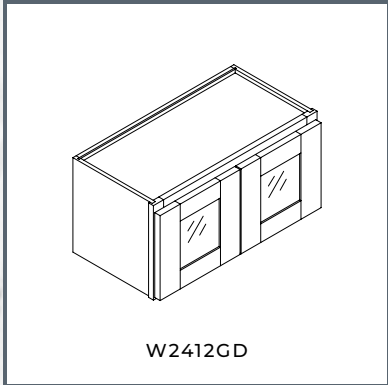
W2112GD

Available Collection: GS, VWS

ID	PRODUCT
W1812GD	STACK-UP WALL CABINET W/ GLASS DOOR 18"W
W2112GD	STACK-UP WALL CABINET W/ GLASS DOOR 21"W

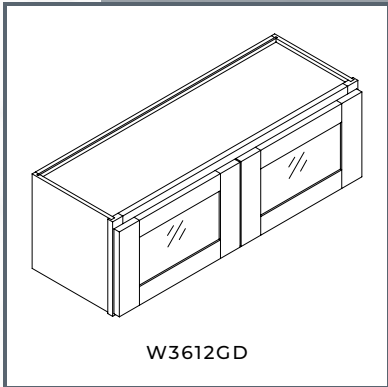
Available Collection: GS, VWS

ID	PRODUCT
W2412GD	STACK-UP WALL CABINET W/ GLASS DOOR 24"W
W2712GD	STACK-UP WALL CABINET W/ GLASS DOOR 27"W



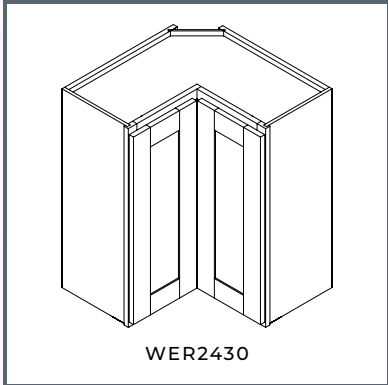
Available Collection: GS, VWS

ID	PRODUCT
W3012GD	STACK-UP WALL CABINET W/ GLASS DOOR 30"W
W3312GD	STACK-UP WALL CABINET W/ GLASS DOOR 33"W
W3612GD	STACK-UP WALL CABINET W/ GLASS DOOR 36"W



Available Collection: GS, VWS

ID	PRODUCT
WER2430	Wall Easy Reach cabinet 30"Hx12"D-2 Shelf
WER2436	Wall Easy Reach cabinet 36"Hx12"D-2 Shelf
WER2442	Wall Easy Reach cabinet 42"Hx12"D-2 Shelf

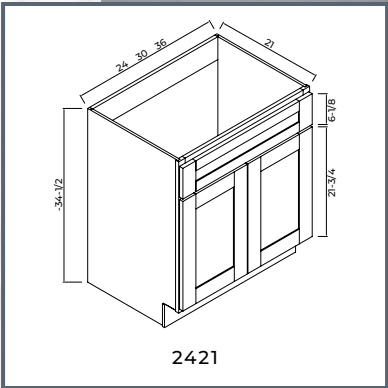


VANITY CABINETS

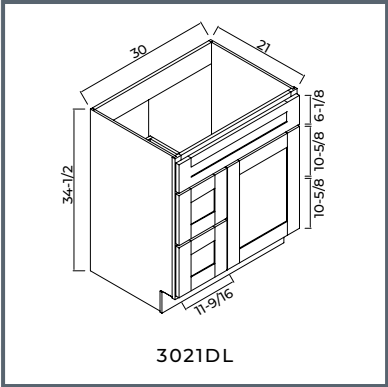
FRAMED CABINETS

 PARRIOTT WOOD

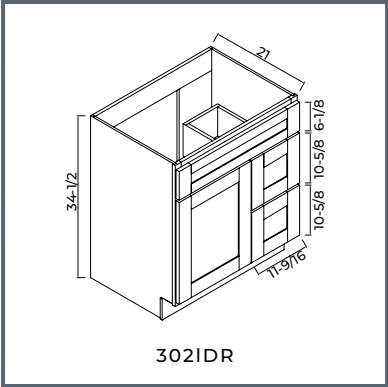
ID	PRODUCT
2421	24"Wx34.5"Hx21"D VANITY-2D
3021	30"Wx34.5"Hx21"D VANITY-2D
3621	36"Wx34.5"Hx21"D VANITY-2D



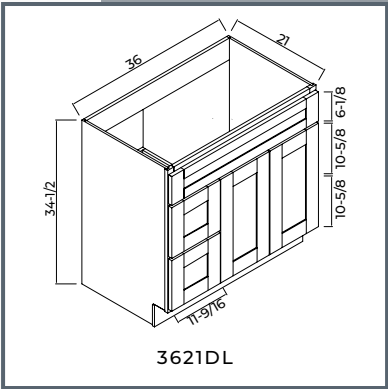
ID	PRODUCT
3021DL	30"Wx34.5"Hx21"D VANITY-1D-2DRA LEFT

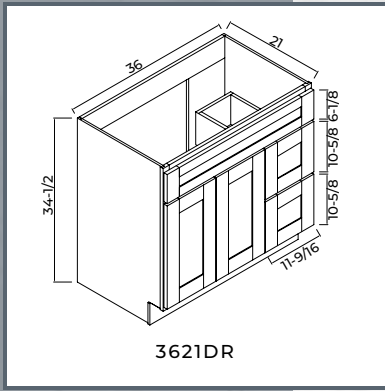


ID	PRODUCT
3021DR	30"Wx34.5"Hx21"D VANITY-1D-2DRA RIGHT

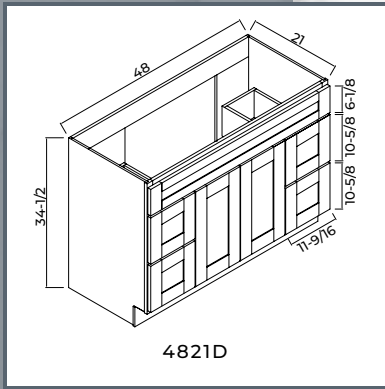


ID	PRODUCT
3621DL	VANITY 36"Wx21"Dx34.5"H-2D - 2DRA LEFT
4221DL	VANITY 42"Wx21"Dx34.5"H-2D - 2DRA LEFT

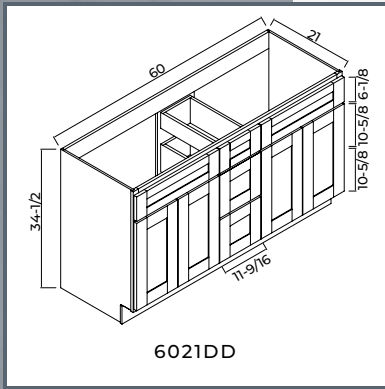




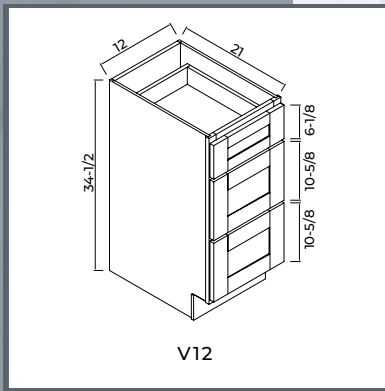
ID	PRODUCT
3621DR	36"Wx34.5"Hx21"D VANITY-2D-2DRA RIGHT
4221DR	42"Wx34.5"Hx21"D VANITY-2D-2DRA RIGHT



ID	PRODUCT
4821D	48"Wx34.5"Hx21"D VANITY-2D-4DRA(2L-2R)
6021D	60"Wx34.5"Hx21"D VANITY-2D-4DRA(2L-2R)



ID	PRODUCT
6021DD	60"Wx34.5"Hx21"D VANITY-3DRA CENTER-4D SIDE

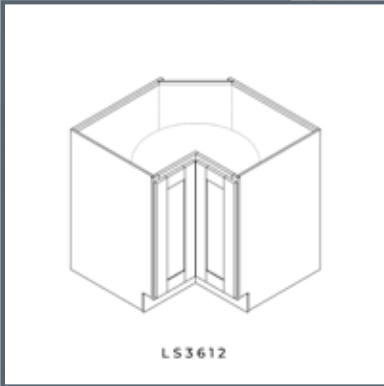


ID	PRODUCT
V12	12"Wx34.5"Hx24"D BASE END SHELF-LEFT/RIGHT
V15	15"Wx34.5"Hx21"D VANITY DRAWER PACK-3DRA
V18	18"Wx34.5"Hx21"D VANITY DRAWER PACK-3DRA
V21	21"Wx34.5"Hx21"D VANITY DRAWER PACK-3DRA

CORNER CABINETS

FRAMED CABINETS

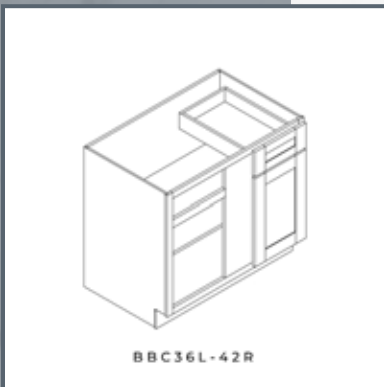
 **PARRIOTT WOOD**



ID	PRODUCT
LS33	33"Wx34.5"H LAZY SUSAN-1D-2 WOOD TURNING SHELF
LS3612	36"Wx34.5"H LAZY SUSAN-1D-2 WOOD TURNING SHELF *Requires 33" or 36" wall space for both sides



ID	PRODUCT
NCSB36	36"Wx34.5"H BASE DIAGONAL CORNER SINK CABINET *Requires 36" wall space on both sides

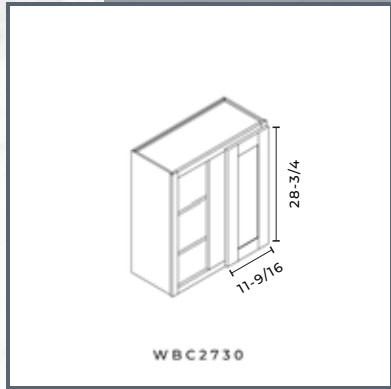


ID	PRODUCT
BBC36-42LR	36"Wx34.5"Hx24"D BASE BLIND CORNER-1D-1DRA *Center Filler: 7 11/16"W x 28 3/8"H *Cabinet Door: 14 1/2"W x 21 3/4"H *Drawer Face (above cabinet): 14 1/2"W x 6 1/8"H *Placement of 3" to 6" space from the adjacent wall is suggested when installing. *Placement of minimum 3" space from the adjacent cabinet is suggested when installing.

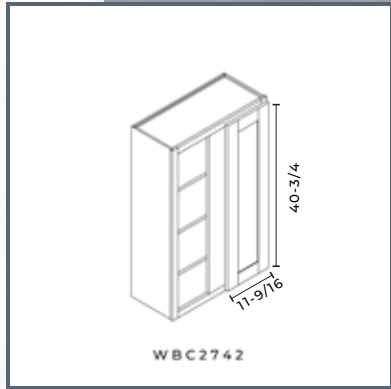
ID	PRODUCT
WDC2430	24"Wx30"Hx12"D WALL DIAGONAL CORNER-1D-2S
WDC2436	24"Wx36"Hx12"D WALL DIAGONAL CORNER-1D-2S
WDC2442	24"Wx42"Hx12"D WALL DIAGONAL CORNER-1D-2S *Requires 24" wall space on both sides



ID	PRODUCT
WBC2730	27"Wx30H"x12"D WALL BLINDER CORNER -1D-2S
WBC2736	27"Wx36H"x12"D WALL BLINDER CORNER -1D-2S *Center Spacer: 3"W *Placement of 3" to 6"space from the adjacent wall is suggested when installing. *Placement of minimum 3" space from the adjacent cabinet is suggested when installing.

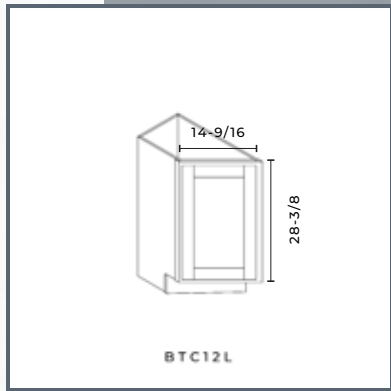


ID	PRODUCT
WBC2742	27"Wx42H"x12"D WALL BLINDER CORNER -1D-2S *Center Spacer: 3"W *Placement of 3" to 6"space from the adjacent wall is suggested when installing. *Placement of minimum 3" space from the adjacent cabinet is suggested when installing.



New Jersey location only

ID	PRODUCT
BTC12L	12"Wx30"Hx24"D BASE TRANSITIONAL CABINET - LEFT
BTC12R	12"Wx30"Hx24"D BASE TRANSITIONAL CABINET - RIGHT



ACCESSORY
CABINETS &
PULL OUTS

FRAMED CABINETS

 PARRIOTT WOOD

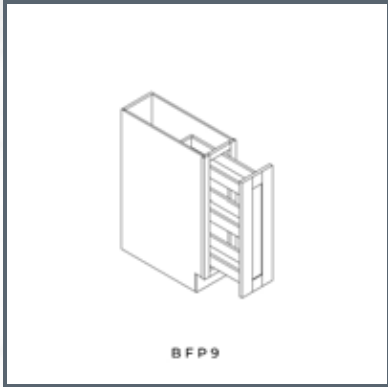
New Jersey location only
Available Collection: AW, WS, BE, MC, CC, COG, HS

ID	PRODUCT
WEA30	12"Wx30"Hx12"D WALL END ANGLE-1D-2S
WEA36	12"Wx36"Hx12"D WALL END ANGLE-1D-2S
WEA42	12"Wx42"Hx12"D WALL END ANGLE-1D-2S



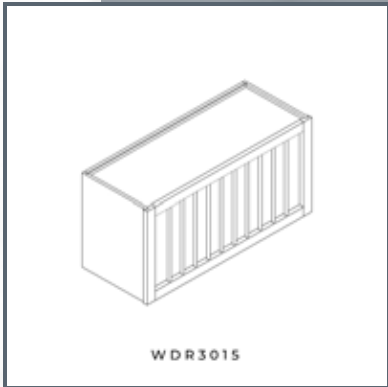
Available Collection: ES, ESG, ESN, AC, AW, WS, GS, BE, MC, CC, COG, HS, BM, BW, BH

ID	PRODUCT
BFP9	9"Wx34.5"Hx24"D BASE SPICE RACK PULL OUT-3S



Available Collection: AW, WS, GS, BE, MC, CC, COG, HS

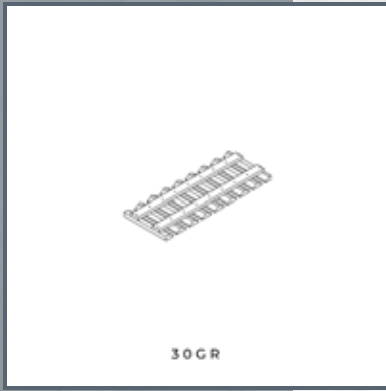
ID	PRODUCT
WDR3015	30"Wx15"Hx12"D WALL DISH RACK
WDR3615	36"Wx15"Hx12"D WALL DISH RACK



Available Collection: ES, ESG, ESN, AC, AW, WS, GS, BE, MC, CC, COG, HS

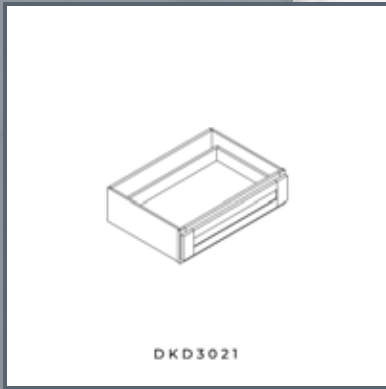
ID	PRODUCT
3015WR	30"Wx15"Hx12"D WINE RACK
3615WR	36"Wx15"Hx12"D WINE RACK





Available Collection: ES, ESG, ESN, AC, AW, WS, GS, BE, MC, CC, COG, HS

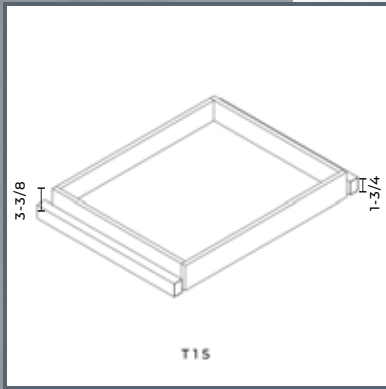
ID	PRODUCT
30GR	30" GLASS RACK
36GR	36" GLASS RACK



Available Collection: AW, WS, GS, BE, MC, CC, COG, HS

ID	PRODUCT
DKD3021	30"Wx8"Hx21"D DESK KNEE DRAWER
DKD3621	36"Wx8"Hx21"D DESK KNEE DRAWER

*Drawer Face: 6 1/8"H or 6 11/16"H
(varies depending on cabinets type)



ID	PRODUCT
T15	ROLL OUT TRAY FOR 15"Wx21"L BASE
T18	ROLL OUT TRAY FOR 18"Wx21"L BASE
T21	ROLL OUT TRAY FOR 21"Wx21"L BASE
T24	ROLL OUT TRAY FOR 24"Wx21"L BASE
T27	ROLL OUT TRAY FOR 27"Wx21"L BASE
T30	ROLL OUT TRAY FOR 30"Wx21"L BASE
T33	ROLL OUT TRAY FOR 33"Wx21"L BASE
T36	ROLL OUT TRAY FOR 36"Wx21"L BASE



Available Collection: AW, WS, BE, MC, HS

ID	PRODUCT
SDBC	6"Wx34.5"Hx24"D SPICE DRAWER BASIC CABINET-5DRAWER
SDWC630	6"Wx30"HX12"DSPICEDRAWERWALLCABINET-5DRAWER

DECOR DOORS & MIRRORS

FRAMED CABINETS

 PARIOTT WOOD

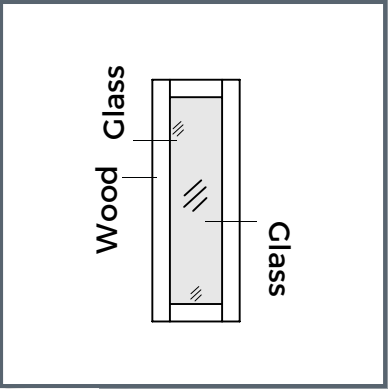


ID	PRODUCT
WMD1230GD	WALL MOLDING GLASS DOOR
WMD1236GD	WALL MOLDING GLASS DOOR
WMD1242GD	WALL MOLDING GLASS DOOR
WMD1530GD	WALL MOLDING GLASS DOOR
WMD1536GD	WALL MOLDING GLASS DOOR
WMD1542GD	WALL MOLDING GLASS DOOR
WMD1830GD	WALL MOLDING GLASS DOOR
WMD1836GD	WALL MOLDING GLASS DOOR
WMD1842GD	WALL MOLDING GLASS DOOR
WMD2130GD	WALL MOLDING GLASS DOOR
WMD2136GD	WALL MOLDING GLASS DOOR
WMD2142GD	WALL MOLDING GLASS DOOR
WMD2730GD	WALL MOLDING GLASS DOOR
WMD2736GD	WALL MOLDING GLASS DOOR
WMD2742GD	WALL MOLDING GLASS DOOR
WMD3330GD	WALL MOLDING GLASS DOOR
WMD3336GD	WALL MOLDING GLASS DOOR
WMD3342GD	WALL MOLDING GLASS DOOR
WMD3012GD	WALL MOLDING GLASS DOOR
WMD3015GD	WALL MOLDING GLASS DOOR
WMD3018GD	WALL MOLDING GLASS DOOR
WMD3612GD	WALL MOLDING GLASS DOOR
WMD3615GD	WALL MOLDING GLASS DOOR
WMD3618GD	WALL MOLDING GLASS DOOR

ID	PRODUCT
WMDC2430GD	DIAGONAL WALL MOLDING GLASS DOOR
WMDC2436GD	DIAGONAL WALL MOLDING GLASS DOOR
WMDC2442GD	DIAGONAL WALL MOLDING GLASS DOOR

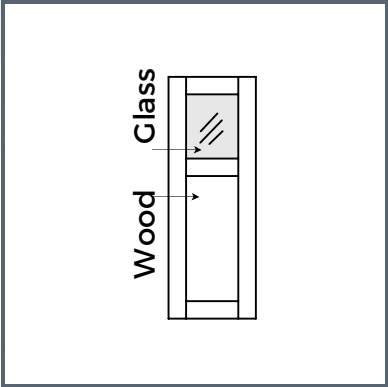
ID	PRODUCT
WD1236GD	WALL DECORATION GLASS DOOR
WD1242GD	WALL DECORATION GLASS DOOR
WD1536GD	WALL DECORATION GLASS DOOR
WD1542GD	WALL DECORATION GLASS DOOR
WD1836GD	WALL DECORATION GLASS DOOR
WD1842GD	WALL DECORATION GLASS DOOR

*Available for Elegant Shaker only

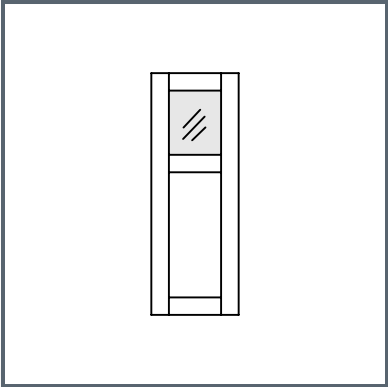


ID	PRODUCT
WGD1242L	WALL GLASS DOOR
WGD1242R	WALL GLASS DOOR
WGD1542L	WALL GLASS DOOR
WGD1542R	WALL GLASS DOOR
WGD1842L	WALL GLASS DOOR
WGD1842R	WALL GLASS DOOR
WGD2142L	WALL GLASS DOOR
WGD2142R	WALL GLASS DOOR
WGD2742	WALL GLASS DOOR
WGD3342	WALL GLASS DOOR

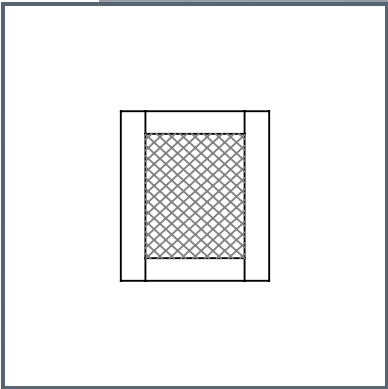
*Glass: 10 5/8"H
 *Wood: 27 3/4"H
 *Available for White Shaker & Beech Espresso only

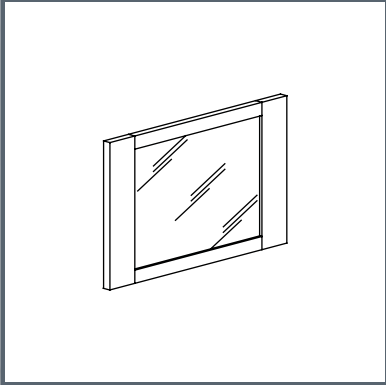


ID	PRODUCT
WGDC2442L	DIAGONAL WALL GLASS DOOR - LEFT
WGDC2442R	DIAGONAL WALL GLASS DOOR - RIGHT

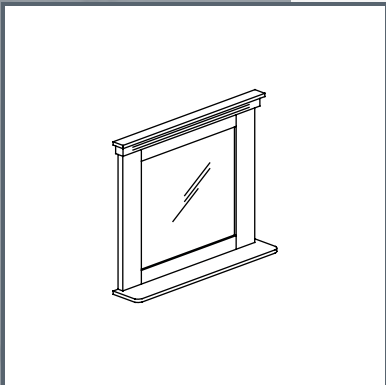


ID	PRODUCT
B30SD	SCREEN DOOR ONLY ,MATCHING BASE B30
B36SD	SCREEN DOOR ONLY ,MATCHING BASE B36





ID	PRODUCT
MR2133	21"Wx33"H MIRROR
MR2733	27"Wx33"H MIRROR
MR3933	39"Wx33"H MIRROR
MR5733	57"Wx33"H MIRROR

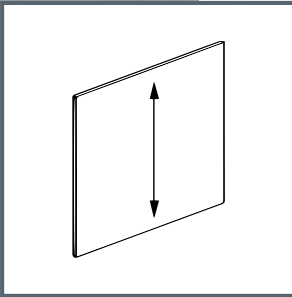


ID	PRODUCT
MRB2133	21"Wx33"H MIRROR WITH BASE
MRB2733	27"Wx33"H MIRROR WITH BASE
MRB3933	39"Wx33"H MIRROR WITH BASE
MRB5733	57"Wx33"H MIRROR WITH BASE

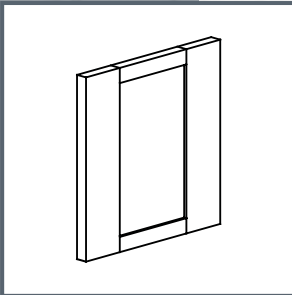
PANELS & BOARDS

FRAMED CABINETS

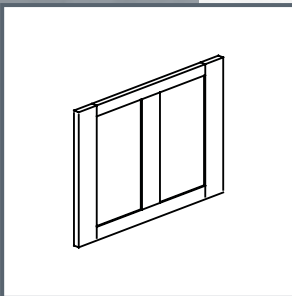
 PARRIOTT WOOD



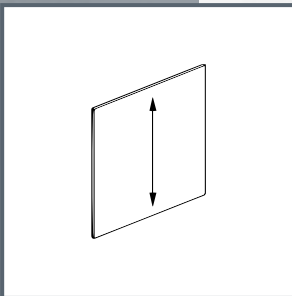
ID	PRODUCT
BP4896	96"Wx48"H BASE PANEL SKIN SINGLE SIDE FINISHED
BP9636	96"Wx36"H BASE PANEL SKIN SINGLE SIDE FINISHED



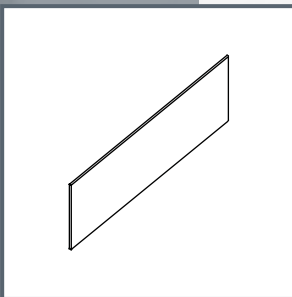
ID	PRODUCT
MWEP1230	11.75"Wx28.625"H MATCHING WALL END PANEL
MWEP1236	11.75"Wx34.625"H MATCHING WALL END PANEL
MWEP1242	11.75"Wx40.625"H MATCHING WALL END PANEL



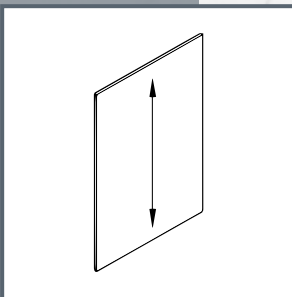
ID	PRODUCT
MBEP24	3.75"Wx28.625"H MATCHING BASE END PANEL 2



ID	PRODUCT
DWR	24"Wx34.5"Hx0.5"D PLYWOOD PANEL ONLY *Edge Unfinished *Set: DWR + DWR1 1/2, or DWR + DWR3



ID	PRODUCT
S2496-3/4	24"Wx96"Hx0.75"DSHELF BOARD PLYWOOD 4 EDGE-2SIDE FINISHED

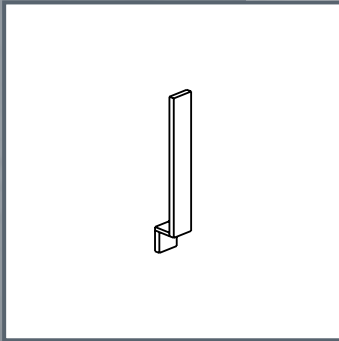


ID	PRODUCT
RRP96	96"Lx24"W REFRIGERATOR END PANEL

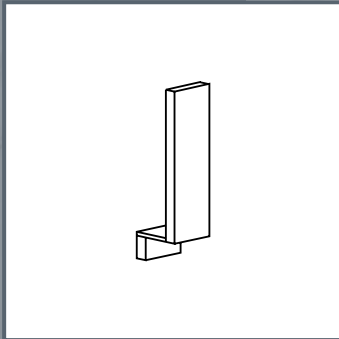
FILLERS & MOLDINGS

FRAMED CABINETS

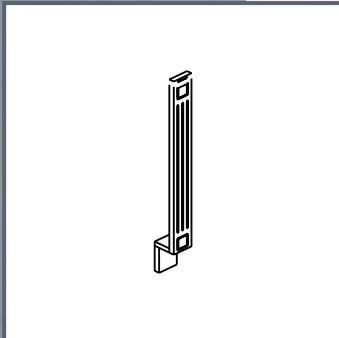
 PARRIOTT WOOD



ID	PRODUCT
BF336	3"Wx34.5"Hx0.75"D WOOD BASE FILLER

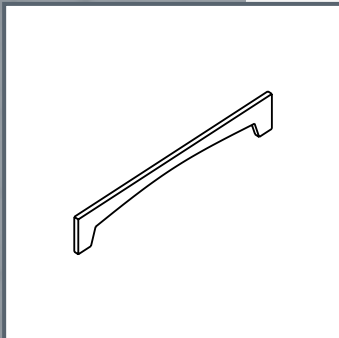


ID	PRODUCT
BF636	6"Wx34.5"Hx0.75"D WOOD BASE FILLER



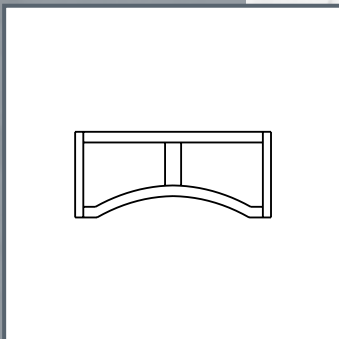
Available Collection: AW, CC, COG

ID	PRODUCT
BF336-C	3"Wx34.5"Hx0.75"D WOOD BASE FILLER (CLASSIC DÉCOR)



Available Collection: ES, ESG, ESN, AC, AW, WS, GS, BE, MC, CC, COG, HS

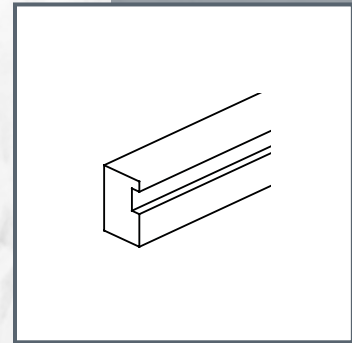
ID	PRODUCT
VA36	36"Wx5"H VALANCE (ARCH STYLE)
VA48	48"Wx5"H VALANCE (ARCH STYLE)



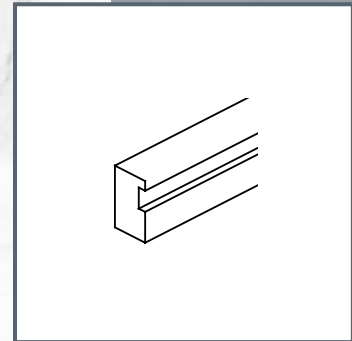
Available Collection: ES, ESG, ESN, AC, AW, WS, GS, BE, MC, CC, COG, HS

ID	PRODUCT
VAD48	48"Wx12"H VALANCE (RAISED WOOD PANEL)

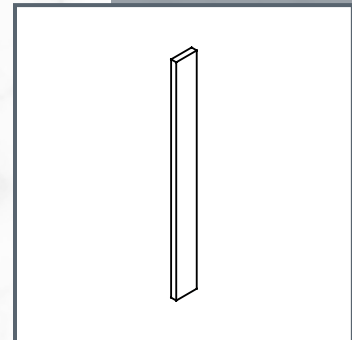
ID	PRODUCT
RRP96 1 1/2	96"Lx 1.5W" WOOD RETURN
RRP96-3	96"Lx 3W" WOOD RETURN



ID	PRODUCT
DWR11/2	1 1/2"W WOOD RETURN
DWR3	3"W WOOD RETURN

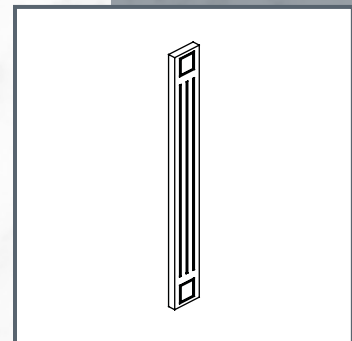


ID	PRODUCT
WF330	3"Wx30"Hx0.75"D WOOD WALL FILLER
WF336	3"Wx36"Hx0.75"D WOOD WALL FILLER
WF342	3"Wx42"Hx0.75"D WOOD WALL FILLER
WF642	6"Wx42"Hx0.75"D WOOD WALL FILLER
WF396	3"Wx96"Hx0.75"D WOOD WALL FILLER
WF696	6"Wx96"Hx0.75"D WOOD WALL FILLER



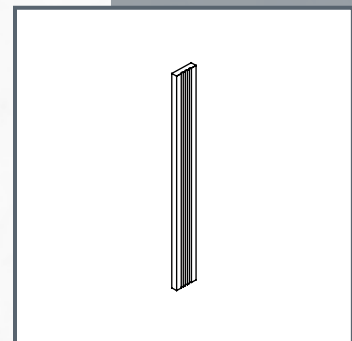
Available Collection: AW, CC, COG

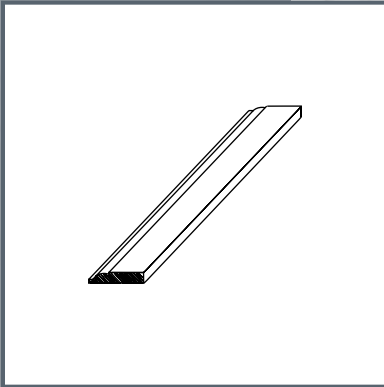
ID	PRODUCT
WF330-C	3"Wx30"Hx0.75"D WOOD WALL FILLER (CLASSIC DÉCOR)
WF336-C	3"Wx36"Hx0.75"D WOOD WALL FILLER (CLASSIC DÉCOR)
WF342-C	3"Wx42"Hx0.75"D WOOD WALL FILLER (CLASSIC DÉCOR)
WF396-C	3"Wx96"Hx0.75"D WOOD WALL FILLER (CLASSIC DÉCOR)



Available Collection: AW, CC, COG

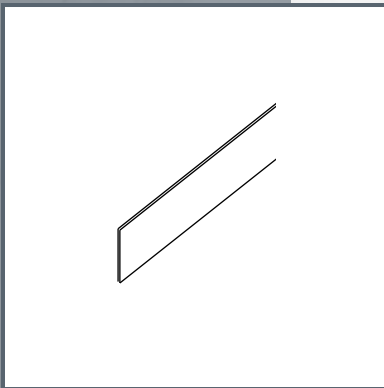
ID	PRODUCT
WF330-F	3"Wx30"Hx0.75"D WOOD WALL FILLER (FLUTED DÉCOR)
WF336-F	33"Wx36"Hx0.75"D WOOD WALL FILLER (FLUTED DÉCOR)
WF342-F	3"Wx42"Hx0.75"D WOOD WALL FILLER (FLUTED DÉCOR)
WF396-F	3"Wx96"Hx0.75"D WOOD WALL FILLER (FLUTED DÉCOR)



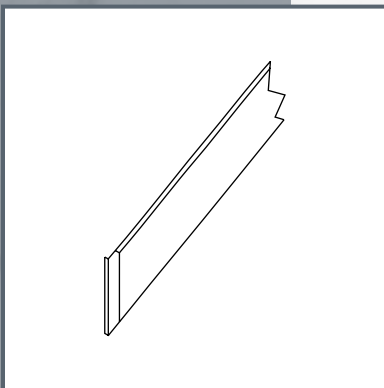


Available Collection: ES, ESG, ESN, AC, AW, WS, GS, BE, MC, CC, COG, HS, BM, BW, BH

ID	PRODUCT
BBM4	96"Lx4"W BASE MOULDING



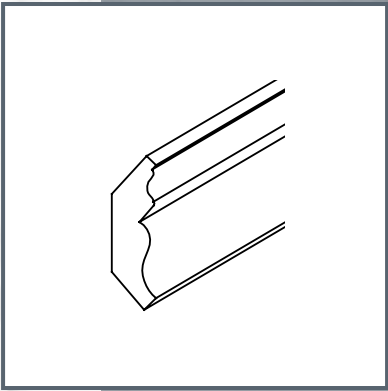
ID	PRODUCT
TK8	96"Lx0.125"T PLYWOOD TOE KICK



ID	PRODUCT
CMS1-5/8	1.625"Wx96"L WOOD CROWN MOLDING
CMS2-1/2	2.5"Wx96"L WOOD CROWN MOLDING
CMS3-1/2	3.5"Wx96"L WOOD CROWN MOLDING
CMS4-1/2	4.5"Wx96"L CROWN MOLDING

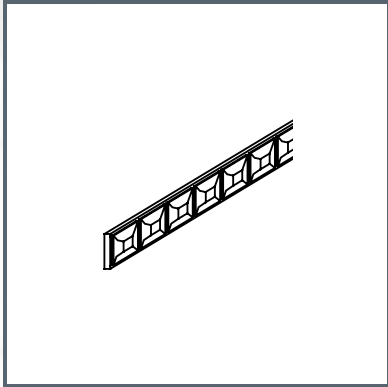
Available Collection: AW, CC, COG, MC

ID	PRODUCT
CM1-5/8	1.625"Wx96"L WOOD CROWN MOLDING
CM2-1/2	2.5"Wx96"L WOOD CROWN MOLDING
CM3-1/2	3.5"Wx96"L WOOD CROWN MOLDING
CM4-1/2	4.5"Wx96"L WOOD CROWN MOLDING



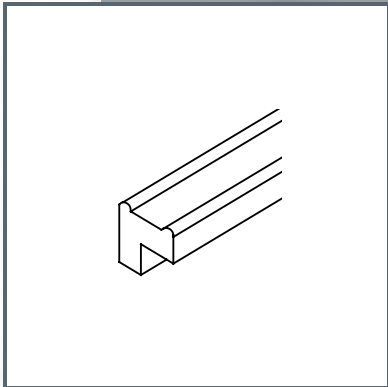
Available Collection: AW, CC, COG

ID	PRODUCT
DM8	96"L DENTIL MOLDING INSERT

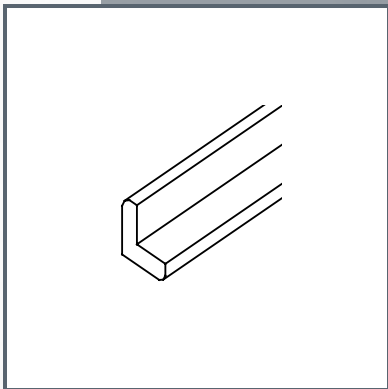


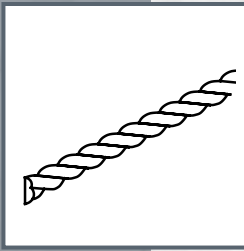
Available Collection: LM AW, WS, GS, BE, MC, CC, COG

ID	PRODUCT
LM	LIGHT MOLDING 96"Lx1-3/8"Hx1-9/16"W



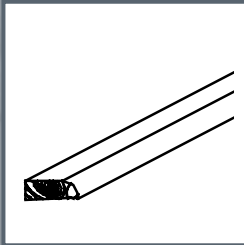
ID	PRODUCT
OCM8	OUTSIDE MOLDING 96"Lx3/4"Hx3/4"W



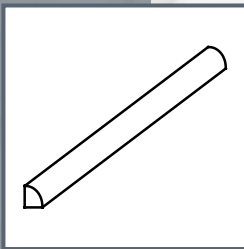


Available Collection: AW, BE, MC, CC, COG

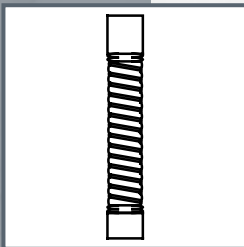
ID	PRODUCT
RM8	96"L ROPE MOLDING INSERT



ID	PRODUCT
SM	96"L SCRIBE MOLDING

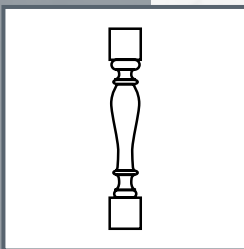


ID	PRODUCT
QR8	96"L QUARTER ROUND



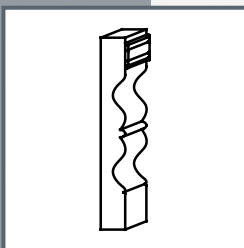
Available Collection: ES, ESG, ESN, AC, AW, WS, GS, BE, MC, CC, COG, HS

ID	PRODUCT
TG01	3.75"Wx 34.5"Hx3.75"D TURNING POST



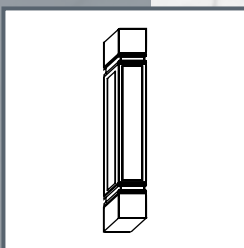
Available Collection: AW, WS, BE, MC, CC, COG, HS

ID	PRODUCT
TP3	3"Wx34.5"Hx3"D TURNING POST



Available Collection: ES, ESG, AC, AW, WS, GS, BE, MC, CC, COG, HS

ID	PRODUCT
TP4	3"Wx34.5"Hx3"D TURNING POST

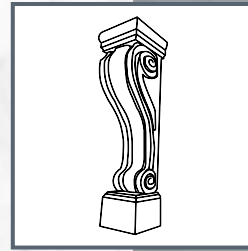


Available Collection: ES, ESG, ESN, AC

ID	PRODUCT
TP5	3"WX34.5"HX3"D TURNING POST

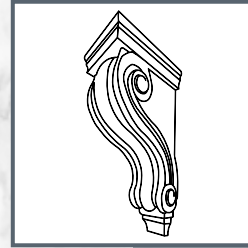
Available Collection: ES, ESG, ESN, AC, WS, GS, BE, HS

ID	PRODUCT
CC01	7"Wx34.5"Hx7.5"D CORBEL



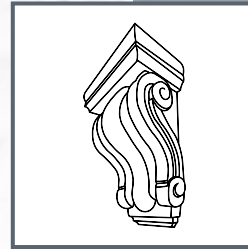
Available Collection: ES, ESG, ESN, AC, WS, GS, BE, HS

ID	PRODUCT
CC06	5.5"Wx12.5"Hx8"D CORBEL



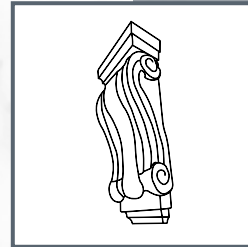
Available Collection: ES, ESG, ESN, AC, WS, GS, BE, HS

ID	PRODUCT
CC13	2.25"Wx6"Hx1.375"D CORBEL



Available Collection: ES, ESG, ESN, AC, AW, WS, GS, BE, MC, CC, COG, HS

ID	PRODUCT
CC16	3"Wx4.25"Hx1.75"D CORBEL



Available Collection: AW, WS, BE, MC, CC, COG, HS

ID	PRODUCT
CB01	7"Wx34.5"Hx7.5"D CORBEL



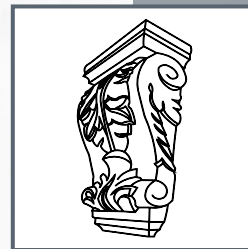
Available Collection: AW, WS, BE, MC, CC, COG, HS

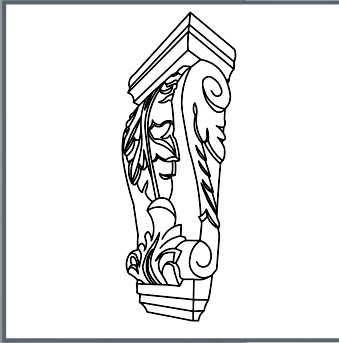
ID	PRODUCT
CB06	5.5"Wx12.5"Hx8"D CORBEL



Available Collection: AW, WS, BE, MC, CC, COG, HS

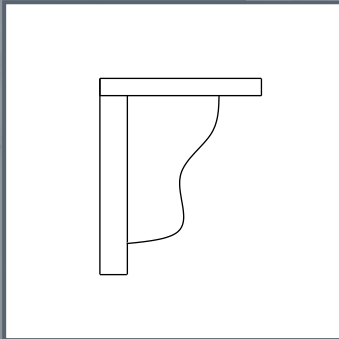
ID	PRODUCT
CB13	2.25"Wx1.375"Dx6"H CORBEL





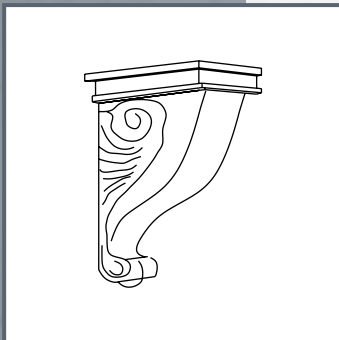
Available Collection: AW, MC, CC, COG

ID	PRODUCT
CB16	3"Wx4.25"Hx1.75"D CORBEL



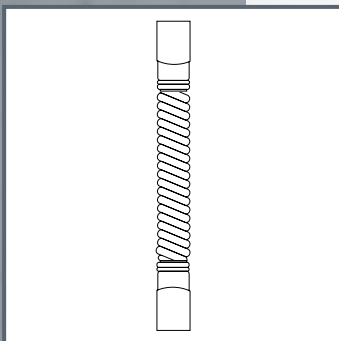
Available Collection: ES, ESG, ESN, AC, AW, WS, GS, BE, MC, CC, COG, HS

ID	PRODUCT
CBL-002	3"Wx10"Hx10"D CORBEL



Available Collection: ES, ESG, ESN, AC, AW, WS, GS, BE, MC, CC, COG, HS

ID	PRODUCT
CBL-V	5.5"Wx12.5"Hx8"D VALANCE REVERSIBLE CORBEL



Available Collection: AW, WS, BE, MC, CC, COG, HS

ID	PRODUCT
RPS30	30" ROPE POST DECO
RPS36	36" ROPE POST DECO
RPS42	42" ROPE POST DECO



Available Collection: AW, WS, BE, MC, CC, COG, HS

ID	PRODUCT
CP11	11"L CARVED PATTERN
CP24	23.63"L CARVED PATTERN

FRAMLESS CABINETS

PARRIOTT WOOD



Village Grey

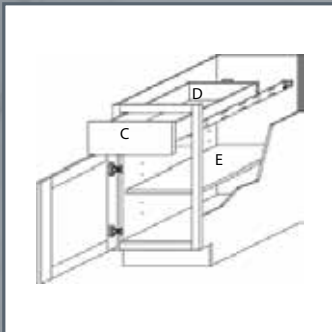
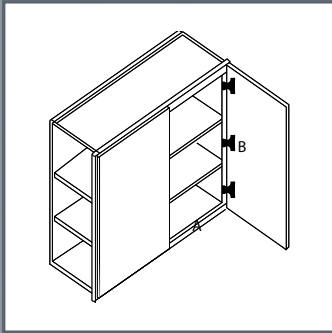


Village Mocha



Soho White

CABINET SPECIFICATIONS

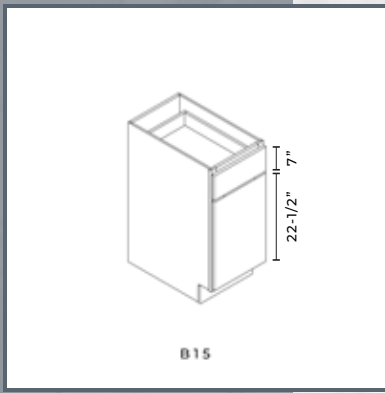


A	FRAME	NONE
B	HINGE	SOFT CLOSING ADJUSTABLE CONCEALED HINGES
C	DRAWER	TRIAD FULL EXTENSION WITH BUMPER SLIDING ROLLER TRACK
D	BOX MATERIAL	3/4" PLYWOOD
E	SHELVES	3/4" PLYWOOD

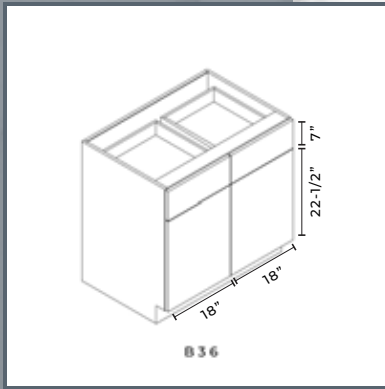
BASE CABINETS,
DRAWERS, &
SHELF

FRAMELESS CABINETS

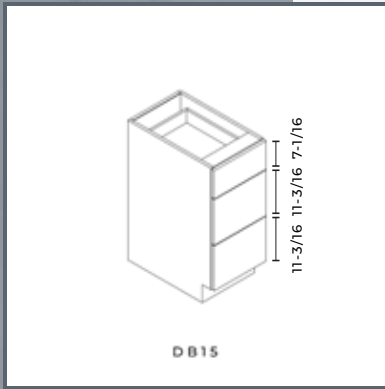
 **PARRIOTT WOOD**



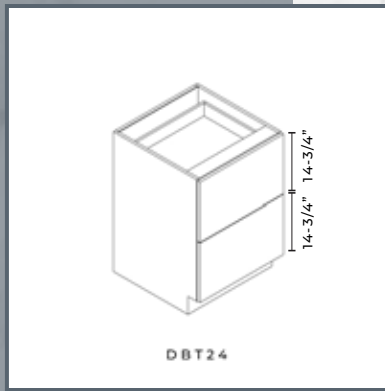
ID	PRODUCT
B12	12"Wx34.5"Hx24"D BASE-1D-1DRA-1S
B15	15"Wx34.5"Hx24"D BASE-1D-1DRA-1S
B18	18"Wx34.5"Hx24"D BASE-1D-1DRA-1S
B21	21"Wx34.5"Hx24"D BASE-1D-1DRA-1S
B24	24"Wx34.5"Hx24"D BASE-2D-1DRA-1S
B27	27"Wx34.5"Hx24"D BASE-2D-1DRA-1S
B30	30"Wx34.5"Hx24"D BASE-2D-1DRA-1S



ID	PRODUCT
B33	33"Wx34.5"Hx24"D BASE-2D-2DRA-1S
B36	36"Wx34.5"Hx24"D BASE-2D-2DRA-1S
B42	42"Wx34.5"Hx24"D BASE-2D-2DRA-1S

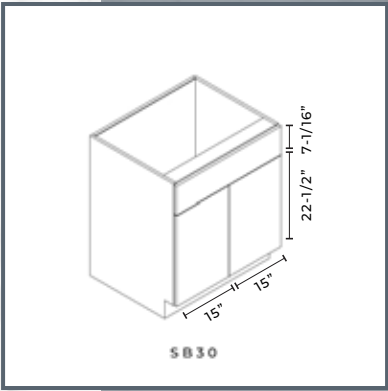


ID	PRODUCT
DB12	12"Wx34.5"Hx24"D DRAWER PACK-3DRA
DB15	15"Wx34.5"Hx24"D DRAWER PACK-3DRA
DB18	18"Wx34.5"Hx24"D DRAWER PACK-3DRA
DB21	21"Wx34.5"Hx24"D DRAWER PACK-3DRA
DB24	24"Wx34.5"Hx24"D DRAWER PACK-3DRA
DB30	30"Wx34.5"Hx24"D DRAWER PACK-3DRA

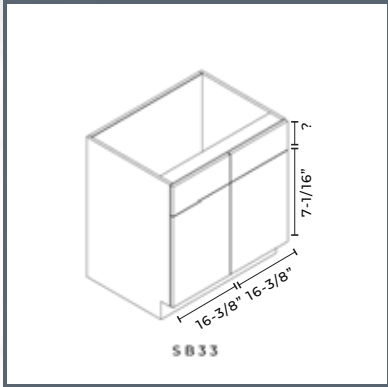


ID	PRODUCT
DBT24	24"Wx24"Hx34.5"D TWO DRAWER BASE
DBT30	30"Wx24"Hx34.5"D TWO DRAWER BASE
DBT36	36"Wx24"Hx34.5"D TWO DRAWER BASE

ID	PRODUCT
SB30	30"W SINK BASE 2DOOR 1HEAD



ID	PRODUCT
SB33	33"W SINK BASE 2DOOR 2DRAWER FACE
SB36	36"W SINK BASE 2DOOR 2DRAWER FACE
SB42	42"W SINK BASE 2DOOR 2DRAWER FACE



ID	PRODUCT
BFD09	09"Wx34.5"Hx24"D BASE FULL DOOR CABINET
BFD18	18"Wx34.5"Hx24"D BASE FULL DOOR CABINET



ID	PRODUCT
BFD24	24"Wx34.5"Hx24"D BASE FULL DOOR CABINET
BFD30	30"Wx34.5"Hx24"D BASE FULL DOOR CABINET
BFD36	36"Wx34.5"Hx24"D BASE FULL DOOR CABINET

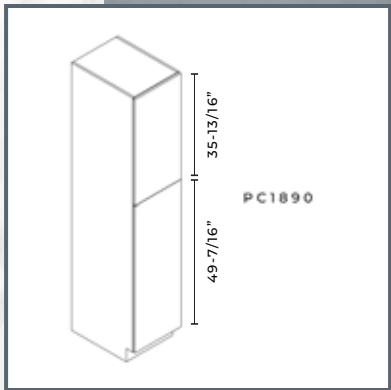


WALL CABINETS,
PANTRY, &
SHELF

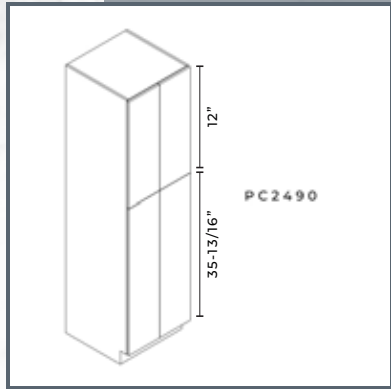
FRAMELESS CABINETS

 PARRIOTT WOOD

ID	PRODUCT
PC1884	18"Wx84"Hx24"D PANTRY-3D-5SHELF SPACE
PC1890	18"Wx90"Hx24"D PANTRY-3D-5SHELF SPACE



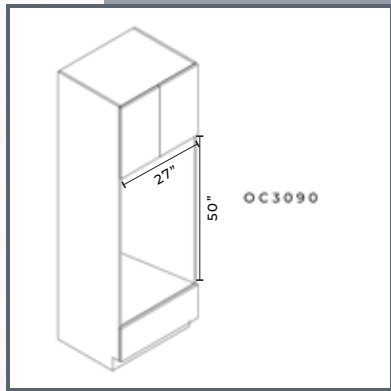
ID	PRODUCT
PC2484	24"Wx84"Hx24"D PANTRY-6D-5SHELF SPACE
PC2490	24"Wx90"Hx24"D PANTRY-6D-5SHELF SPACE



ID	PRODUCT
WPC1849 1/2	Wall Pantry Cabinet 18"Wx24"Hx49-1/2"D
WPC1855 1/2	Wall Pantry Cabinet 18"Wx24"Hx55-1/2"D
WPC1861 1/2	Wall Pantry Cabinet 18"Wx24"Hx61-1/2"D
WPC2449 1/2	24"Wx49.5"Hx24"D WALL PANTRY CABINET
WPC2455 1/2	24"Wx55.5"Hx24"D WALL PANTRY CABINET
WPC2461 1/2	24"Wx61.5"Hx24"D WALL PANTRY CABINET
WPC3049 1/2	30"Wx49.5"Hx24"D WALL PANTRY CABINET
WPC3055 1/2	30"Wx55.5"Hx24"D WALL PANTRY CABINET
WPC3061 1/2	30"Wx61.5"Hx24"D WALL PANTRY CABINET
WPC3649 1/2	36"Wx49.5"Hx24"D WALL PANTRY CABINET
WPC3644 1/2	36"Wx55.5"Hx24"D WALL PANTRY CABINET
WPC3661 1/2	36"Wx61.5"Hx24"D WALL PANTRY CABINET



ID	PRODUCT
OC3084U	30"Wx84"Hx24"D OVEN CABINET-2D-1DRA
OC3090U	30"Wx90"Hx24"D OVEN CABINET-2D-1DRA
OC3096U	30"Wx96"Hx24"D OVEN CABINET-2D-1DRA





ID	PRODUCT
W0930	09"Wx30"Hx12"D WALL-1D-2S
W0936	09"Wx36"Hx12"D WALL-1D-2S
W0942	09"Wx42"Hx12"D WALL-1D-3S
W1230	12"Wx30"Hx12"D WALL-1D-2S
W1236	12"Wx36"Hx12"D WALL-1D-2S
W1242	12"Wx42"Hx12"D WALL-1D-3S
W1530	15"Wx30"Hx12"D WALL-1D-2S
W1536	15"Wx36"Hx12"D WALL-1D-2S
W1542	15"Wx42"Hx12"D WALL-1D-3S
W1830	18"Wx30"Hx12"D WALL-1D-2S
W1836	18"Wx36"Hx12"D WALL-1D-2S
W1842	18"Wx42"Hx12"D WALL-1D-3S
W2130	21"Wx30"Hx12"D WALL-1D-2S
W2136	21"Wx36"Hx12"D WALL-1D-2S
W2142	21"Wx42"Hx12"D WALL-1D-3S

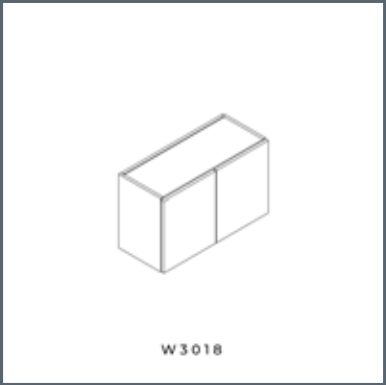


ID	PRODUCT
W2430	24"Wx30"Hx12"D WALL-2D-2S
W2436	24"Wx36"Hx12"D WALL-2D-2S
W2442	24"Wx42"Hx12"D WALL-2D-3S
W2730	27"Wx30"Hx12"D WALL-2D-2S



ID	PRODUCT
W2736	27"Wx36"Hx12"D WALL-2D-2S
W2742	27"Wx42"Hx12"D WALL-2D-3S
W3030	30"Wx30"Hx12"D WALL-2D-2S
W3036	30"Wx36"Hx12"D WALL-2D-2S
W3042	30"Wx42"Hx12"D WALL-2D-3S
W3330	33"Wx30"Hx12"D WALL-2D-2S
W3336	33"Wx36"Hx12"D WALL-2D-2S
W3342	33"Wx42"Hx12"D WALL-2D-3S
W3630	36"Wx30"Hx12"D WALL-2D-2S
W3636	36"Wx36"Hx12"D WALL-2D-2S
W3642	36"Wx42"Hx12"D WALL-2D-3S

ID	PRODUCT
W3012	30"Wx12"Hx12"D WALL-2D
W3015	30"Wx15"Hx12"D WALL-2D
W3018	30"Wx18"Hx12"D WALL-2D
W3021	30"Wx21"Hx12"D WALL-2D
W3024	30"Wx24"Hx12"D WALL-2D
W3612	36"Wx12"Hx12"D WALL-2D
W3615	36"Wx15"Hx12"D WALL-2D
W3618	36"Wx18"Hx12"D WALL-2D
W3621	36"Wx21"Hx12"D WALL-2D
W3624	36"Wx24"Hx12"D WALL-2D



ID	PRODUCT
W361224	36"Wx12"Hx24"D WALL-2D
W361524	36"Wx15"Hx24"D WALL-2D
W361824	36"Wx18"Hx24"D WALL-2D
W362124	36"Wx21"Hx24"D WALL-2D
W362424	36"Wx24"Hx24"D WALL-2D

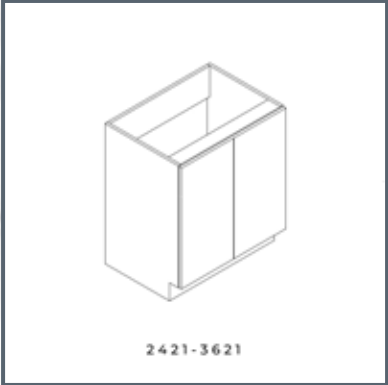


VANITY CABINETS

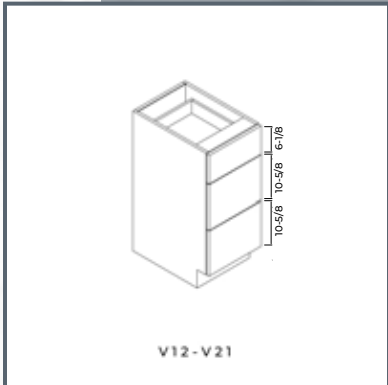
FRAMELESS CABINETS

 PARRIOTT WOOD

ID	PRODUCT
2421	24"Wx34.5"Hx21"D VANITY-FULL DOOR
3021	30"Wx34.5"Hx21"D VANITY-FULL DOOR
3621	36"Wx34.5"Hx21"D VANITY-FULL DOOR



ID	PRODUCT
V12	12"Wx34.5"Hx21"D VANITY DRAWER PACK-3DRA
V15	15"Wx34.5"Hx21"D VANITY DRAWER PACK-3DRA
V18	18"Wx34.5"Hx21"D VANITY DRAWER PACK-3DRA
V21	21"Wx34.5"Hx21"D VANITY DRAWER PACK-3DRA

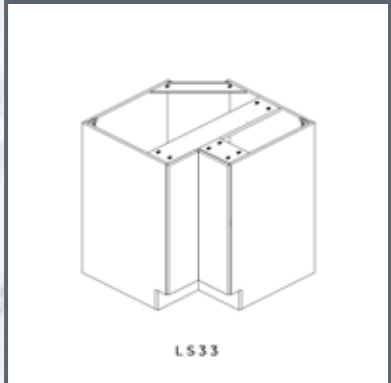


CORNER CABINETS

FRAMELESS CABINETS

 PARRIOTT WOOD

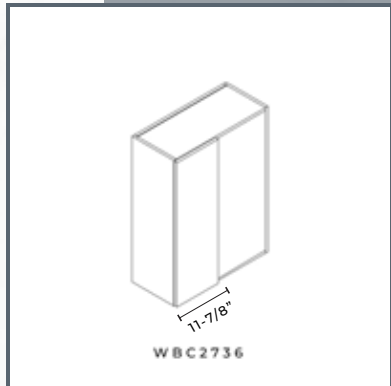
ID	PRODUCT
LS33	33"Wx34.5"H LAZY SUZAN-1D-1SHELF
LS3612	36"Wx34.5"H LAZY SUZAN-1D-1SHELF *Requires 36" wall space on both sides



ID	PRODUCT
BBC36-42	36"Wx24"Dx34.5"H BASE BLIND CORNER -1D-OPENING L/R
BBC42-48	42"Wx24"Dx34.5"H BASE BLIND CORNER -1D-OPENING L/R *Placement of 3" to 6" space from the adjacent wall is suggested when installing. *Placement of minimum 3" space from the adjacent cabinet is suggested when installing.



ID	PRODUCT	PRICE
WBC2730	WALL BLINDER CORNER 27"Wx30H"x12"D-1D-2S	
WBC2736	WALL BLINDER CORNER 27"Wx36H"x12"D-1D-2S	
WBC2742	WALL BLINDER CORNER 27"Wx42H"x12"D-1D-3 *Placement of 3" to 6" space from the adjacent wall is suggested when installing. *Placement of minimum 3" space from the adjacent cabinet is suggested when installing.	



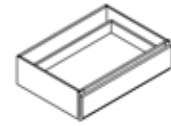
ACCESSORY
CABINETS &
PULL OUTS

FRAMELESS CABINETS

 PARRIOTT WOOD

ID **PRODUCT**

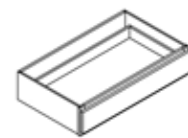
DKD3021 30"Wx8"Hx21"D DESK KNEE DRAWER



DKD3021

ID **PRODUCT**

DKD3621 36"Wx8"Hx21"D DESK KNEE DRAWER



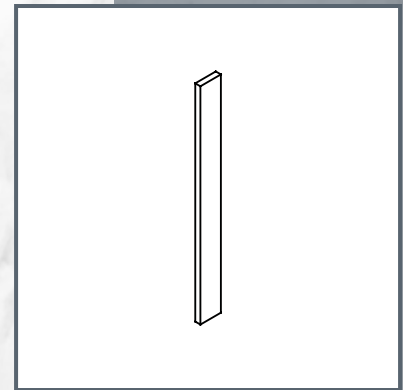
DKD3621

FILLERS & MOLDINGS

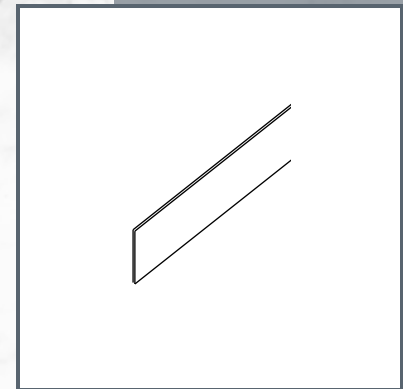
FRAMELESS CABINETS

 PARRIOTT WOOD

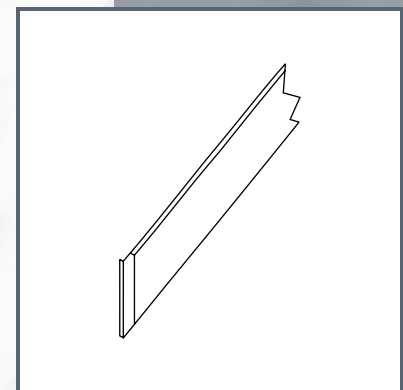
ID	PRODUCT
WF330	WALL FILLER 3"Wx30"Hx3/4"D WOOD
WF336	WALL FILLER 3"Wx36"Hx3/4"D WOOD
WF342	WALL FILLER 3"Wx42"Hx3/4"D- WOOD
WF396	WALL FILLER 3"Wx96"Hx3/4"D- WOOD
WF636	WALL FILLER 6"Wx36"Hx5/8"D
WF330	BASE & WALL FILLER 3"Wx30"Hx3/4"D
WF630	BASE & WALL FILLER 6"Wx30"Hx3/4"D
BF336	BASE FILLER 3'Wx34-1/2'Hx3/4"D WOOD



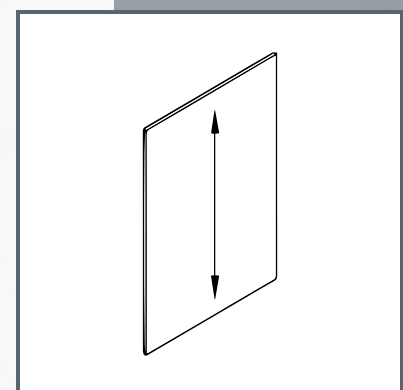
ID	PRODUCT
TK8	TOE KICK 96"L ALUMINUM



ID	PRODUCT
CMS1-5/8	CROWN MOLDING 1-5/8"Wx96"L
CMS3-1/2	CROWN MOLDING 3-1/2"Wx96"L



ID	PRODUCT
EP30	30" WALL CABINET END PANEL
EP31-1/2	30" WALL CABINET END PANEL
EP34-1/2	33" BASE CABINET END PANEL
EP36	36" WALL CABINET END PANEL
EP37-1/2	36" WALL CABINET END PANEL
EP43-1/2	42" WALL CABINET END PANEL
EP84	84" PANTRY CABINET END PANEL
EP90	90" PANTRY CABINET END PANEL
EP96-3/4	96" PANTRY CABINET END PANEL
EP9636	96"x36" ISALND END PANEL



[REDACTED]



[REDACTED]



[REDACTED]



[REDACTED]

This limited warranty does not apply to cabinet that:

- (a.) is in any way modified;
- (b.) installed improperly, or damaged prior to and/ or during installation; (c.) installed outdoor;
- (d.) has been subjected to misuse , neglect, physical or chemical abuse; (e.) has been exposed to extreme temperature ;
- (f.) has been exposed to extreme humidity;
- (g.) has been exposed to direct sunlight;
- (h.) damaged by fire, flood and other acts of God.

In addition, normal incidental deterioration, such as nicks, scratches, abrasions and natural characteristics of wood (defined below) shall be except from this limited warranty. Natural wood may vary in color, characteristics and exhibit subtle changes as they age. Environmental conditions, such as sunlight, smoke, steam, and household chemical cleaners will affect the color of cabinet from time to time. These variations are considered to be the natural changes of wood but not defects that shall not be covered by this warranty.

It is sole decision of NGY Group (Chino) Inc. to either repair or replace the affected components if defect exists during the warranty period. However, NGY Group (Chino) Inc. updates its product line periodically. If the defected cabinet is discontinued, NGY Group (Chino) Inc. will reserve the right to replace the affected component with a new component of the same style, or to replace the affected component and any other components to achieve a uniform appearance with a similar and comparable cabinet style of the originally purchased style. If the components are replaced, NGY Group (Chino) Inc. cannot guarantee the finish of these replacements will match the finish and appearance of the components in the residential application.

This warranty does not cover flooring, tile, sink, accessory, counter top, appliances, plumbing fixture, etc. or the costs , including labor to remove and reinstall materials and related components such as fittings.

DISCLAIMER OF WARRANTIES

[Redacted text block]



ACCOUNT REGISTRATION FORM

SALES REP SIGN UP DATE

COMPANY/ACCOUNT NAME *

* indicates a required field

CONTACT INFO

NAME * PHONE *

ADDRESS * CELL *

CITY * EMAIL *

STATE * ZIP FAX

EMAIL * DISCLAIMER YES Send me new product/
inventory updates, news,
and exclusive promotions
NO

SMS * DISCLAIMER YES Notify me with new product/
inventory updates, news,
and exclusive promotions
Msg&data rates
may apply NO

BUSINESS INFO

CUSTOMER TYPE * (Please check one of the following)

- DISTRIBUTOR (STORE WITH INVENTORY)
- PROPERTY MANAGEMENT
- SHOWROOM DEALERS
- INDEPENDENT CONTRACTORS (RESIDENTIAL PROJECTS)
- BUILDER (BIDDING HOTELS, COMMERCIAL PROJECTS)

DO YOU HAVE A SELLER'S PERMIT? * YES NO

If yes, please provide valid Seller's Permit number and a copy of the Seller's Permit:

CA Customers: Kindly provide us with a copy of your business card and/or contractors license

Out of State Customers: Kindly provide us with a copy of your Driver's License and business information

IMPORTANT

Payments are only accepted from account holder.

Accepted forms of payment: Credit Card or Cash.

Name on Credit Card must match name on account.

NGY is only responsible to account holders of NGY, we are not accountable for any other third parties.





PARRIOTT WOOD
by NGY



Navy Shaker

Framed cabinet



ngyusa.com

-  [NGYGROUPINC](#)
-  [NGYGROUP](#)
-  [PARRIOTTWOOD](#)